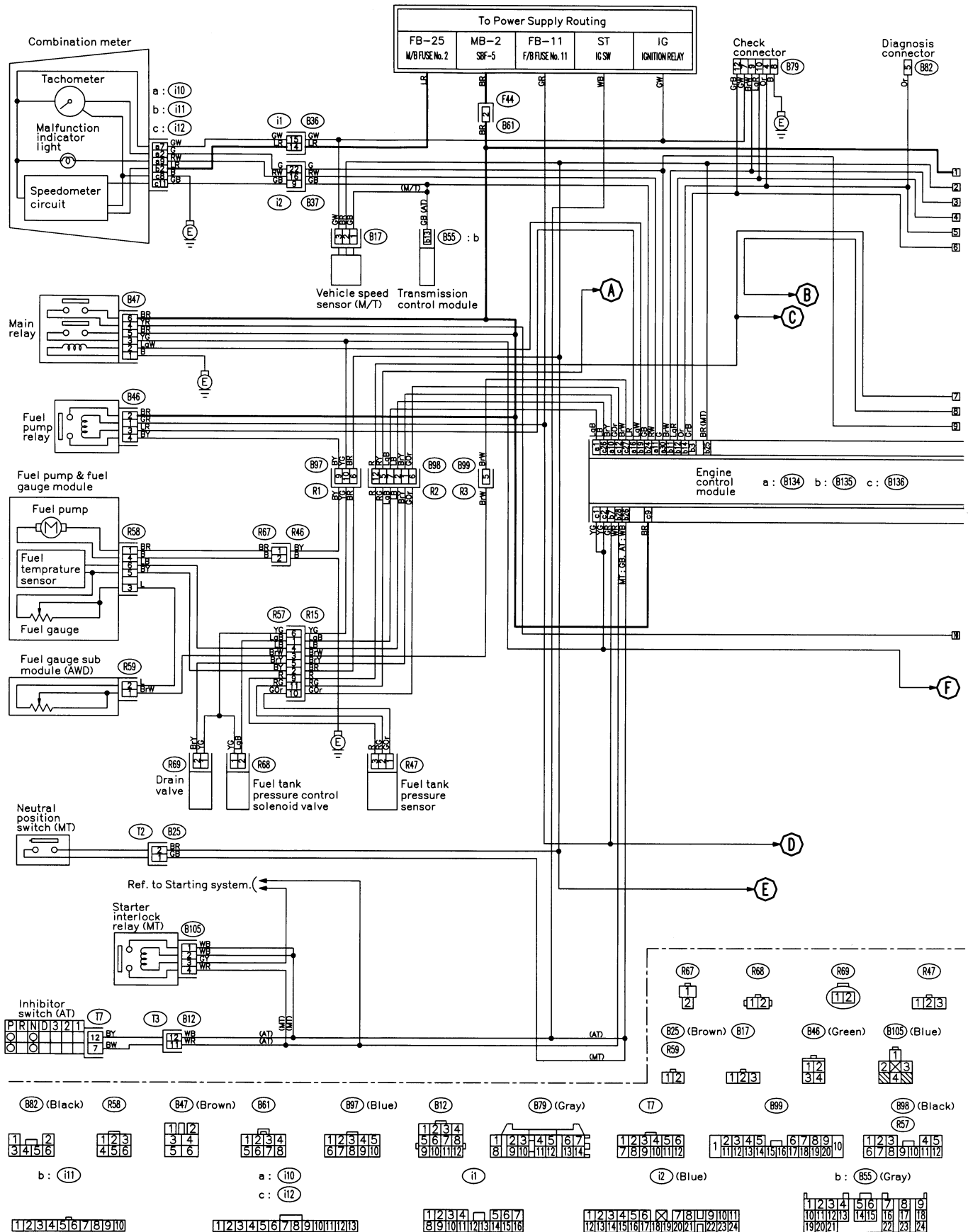
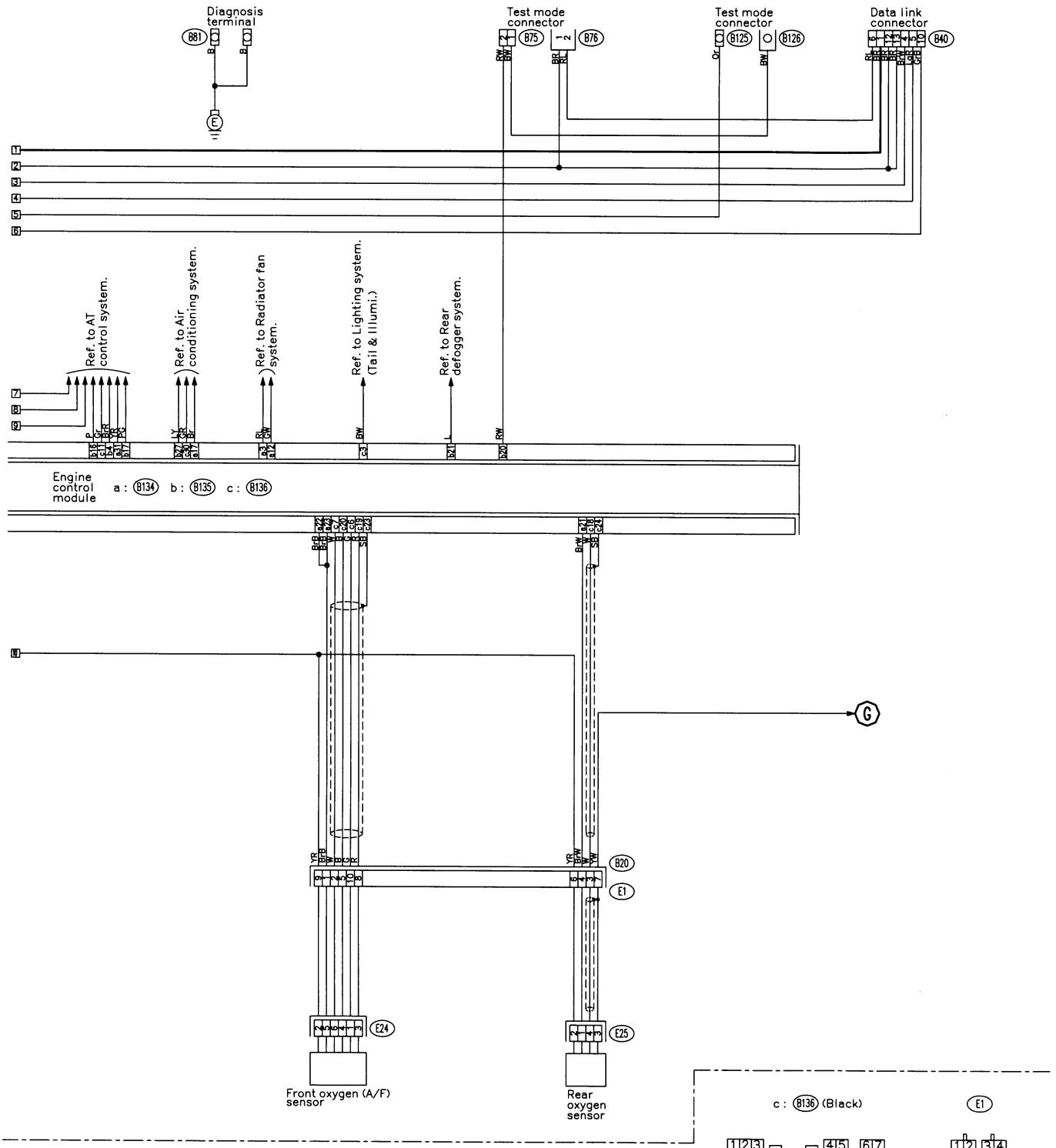


# M: ENGINE ELECTRICAL SYSTEM





(B75) (Green)

(B76) (Green)

(E25)

(E24)

(B40)

a: (B134) (Black)

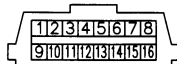
b: (B135) (Black)

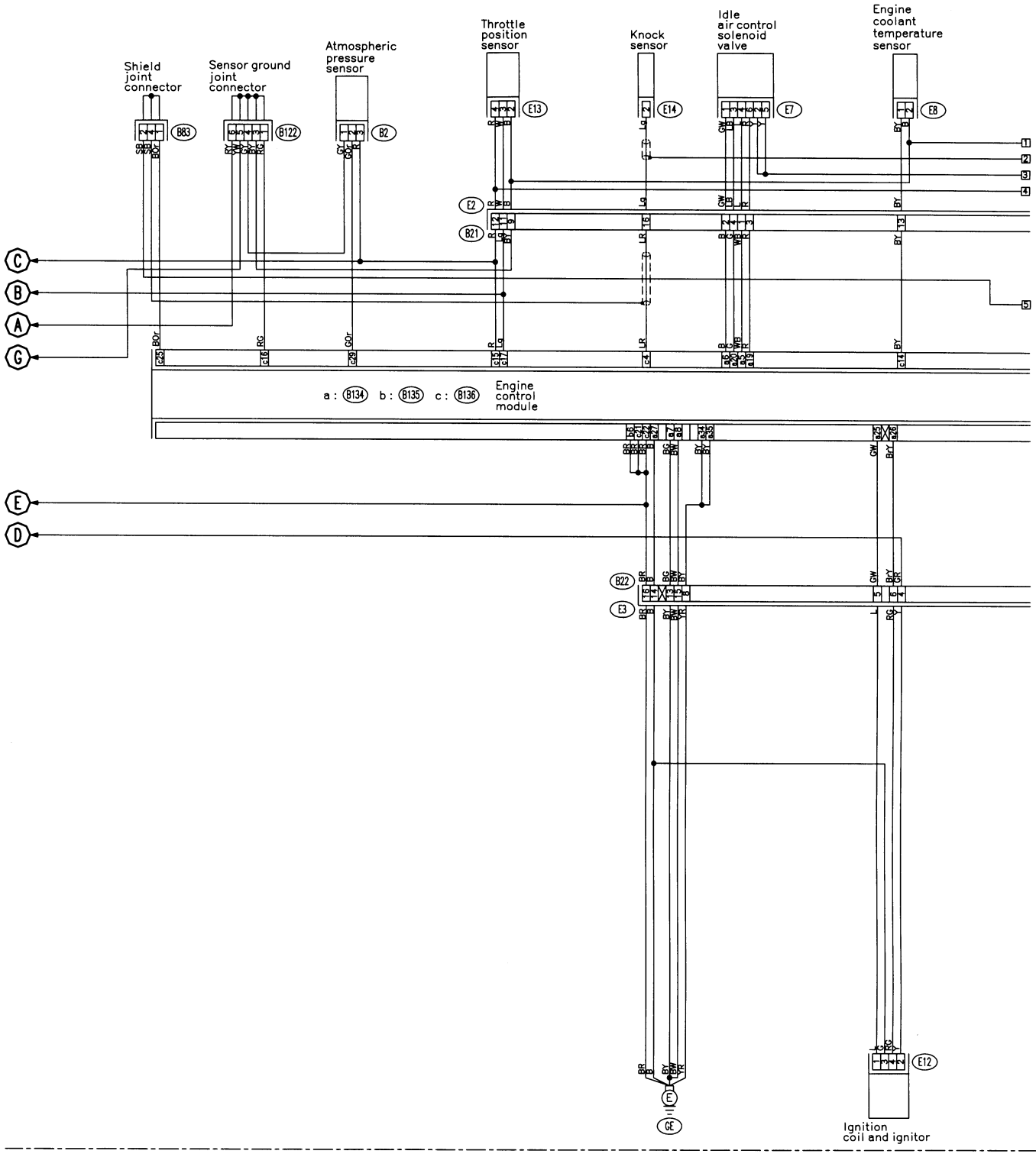
c: (B136) (Black)

(E1)

1	2	3	4	5	6	7
8	9	10	11	12	13	14
15	16	17	18	19	20	21
22	23	24	25	26	27	28
29	30	31	32	33	34	35

1	2	3	4
5	6	7	8
9	10	11	12





E14 (Gray)

B2

E8

E21

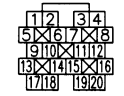
E7

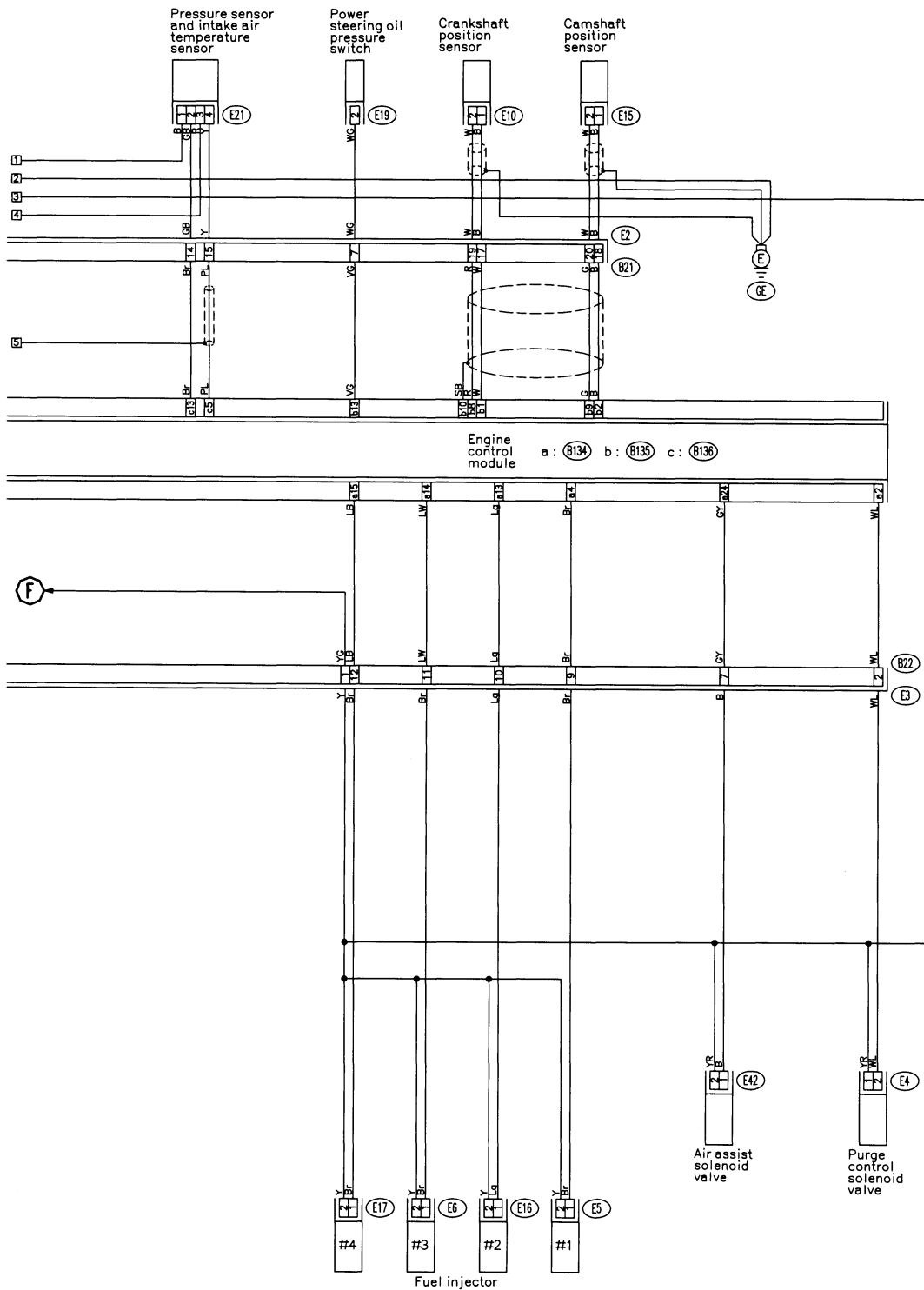
B83

B21

B22

E12 (Dark gray)  
E13





- (E5)
- (E6)
- (E16)
- (E17)



- (E10)
- (E15)
- (E42)
- (E19)
- (E4)



b: (B135) (Black)

1	2	3		4	5	6	7
8	9	10	11	12	13	14	15
16	17	18	19	20	21	22	23
24	25	26	27	28			

c: (B136) (Black)

1	2	3		4	5	6	7
8	9	10	11	12	13	14	15
16	17	18	19	20	21	22	23
24	25	26	27	28	29	30	

a: (B134) (Black)

1	2	3	4		5	6	7	8
9	10	11	12	13	14	15	16	17
18	19	20	21	22	23	24	25	26
27	28	29	30	31	32	33	34	35